

- 1. Do not scale, dimension govern.
- 2. All dimensions are in millimeters unless noted otherwise.
- 3. All dimensions must be checked on site before construction.
- 4. Architect should be in written notified of any disagreement.

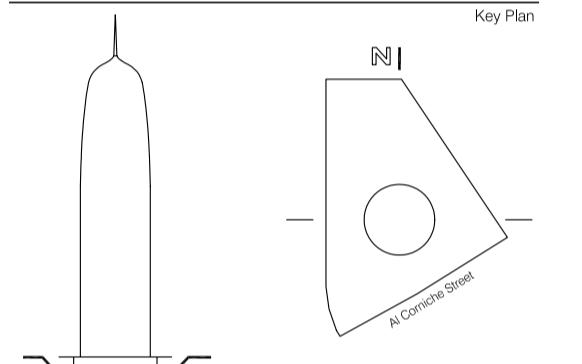
All measure and quantity indications on this plan must be checked by the respective contractor before execution; any discrepancies in the documents, tolerance, deviation or other disagreement of any kind must be clarified. In writing with the architect, the local contractor, and construction management.

This plan is valid only in conjunction with the text for invitation of tenders including all preliminary remarks, structural engineering plans, domestic technique plans, and expert reports.

Only the indications of measurements in the plans are binding. The British Standard (BS), legal and technical local prescriptions at the time of execution are effective.

The fasteners shown in the details are not to scale. The necessary strength category and the materials' quality category of all the fasteners must be evaluated by the executing contractor according to the respective static requirements.

No.	Date	Description



H.E. Sheikh Saud Al-Thani
P.O. Box 7869 Doha, Qatar
Tel: +974 485 9705 Fax: +974 436 1531

ATELIERS JEAN NOUVEL
10, Cité d'Angoulême 75011 Paris, France
Tel: +33 (0) 1 49 23 83 83 Fax: +33 (0) 1 43 14 81 10

TERRELL INTERNATIONAL
11, rue Heinrich 92772 Boulogne-Billancourt cedex, France
Tel: +33 (0) 1 46 21 07 46 Fax: +33 (0) 1 46 21 03 48

ARAB ENGINEERING BUREAU
Post Box 1148, Doha, Qatar
Tel: +974 477 969 Fax: +974 477 888

BCS S.A.
Rue Priteur 1, 2038 Cormondréche, Switzerland
Tel: +41 32 732 98 00 Fax: +41 32 732 98 01

SOCOTEC INTERNATIONAL
1, avenue du Parc, 78180 Montigny-Le Bretonneux, France
Tel: +33 (0) 1 30 12 85 00 Fax: +33 (0) 1 30 12 86 70

EUROPTIMA
8, rue Bayen, 75017 Paris, France
Tel: +33 (0) 1 44 29 27 30 Fax: +33 (0) 1 44 29 27 31

AVEL ACOUSTIQUE
43, rue des Moulins des Prés 75013 Paris, France
Tel: +33 (0) 1 45 89 99 92 Fax: +33 (0) 1 45 89 90 38

HARDY Ingénieurs et Paysages
3, avenue de Saint Cloud 78000 Versailles, France
Tel: +33 (0) 1 39 50 50 58 Fax: +33 (0) 1 30 21 42 51

J.-P. MOLE S.A.
8, rue Denis Poisson 75017 Paris, France
Tel: +33 (0) 1 56 68 00 90 Fax: +33 (0) 1 56 68 03 20

PLURICONSULT
4, avenue de la Mairie, 94260 Fresnes, France
Tel: +33 (0) 1 46 66 47 19

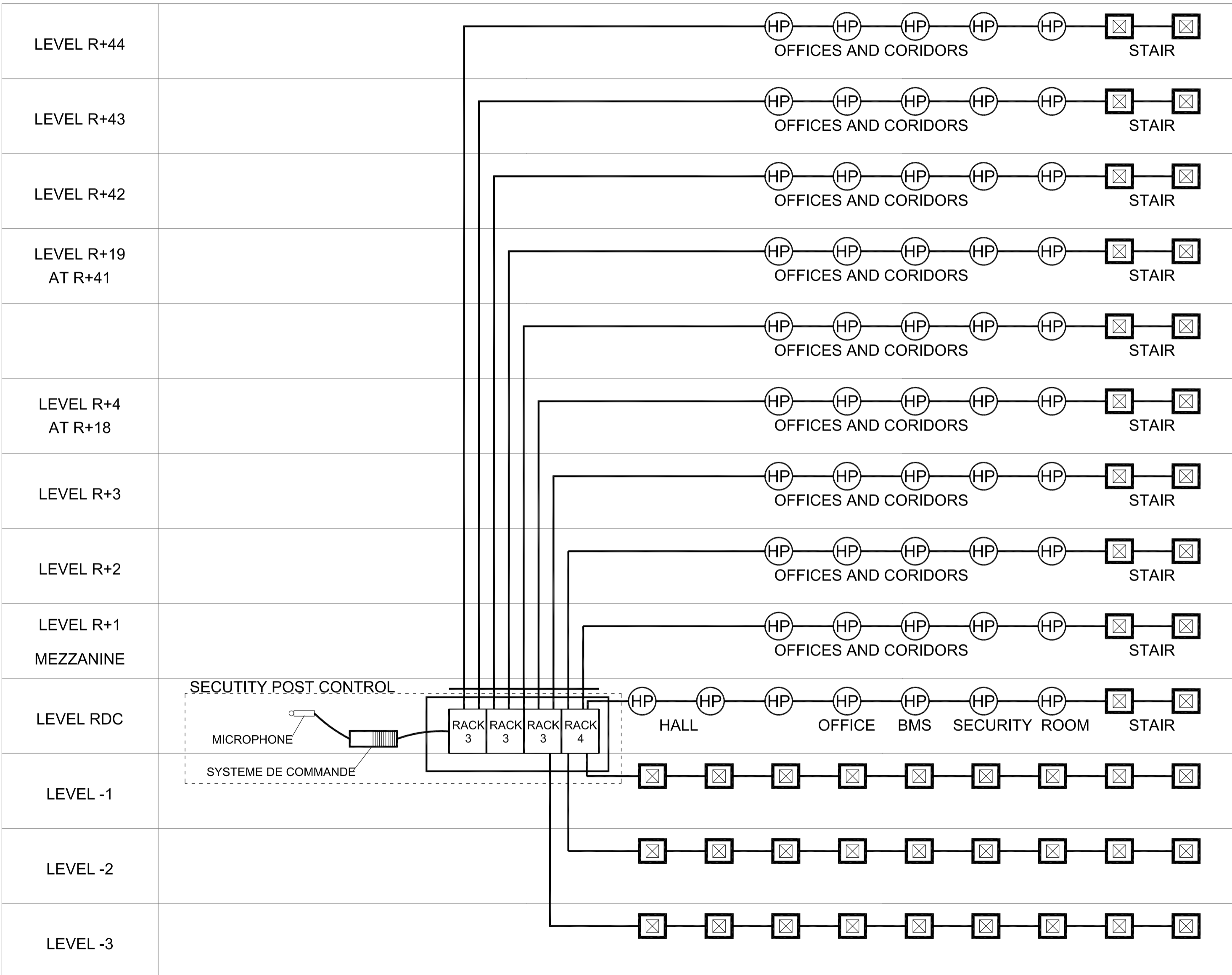
M T C SURVEYS
P.O. Box 22103 Doha, Qatar
Tel: +974 4654414 - +974 4654415 Fax: +974 4654405

High Rise Office Building DOHA - STATE OF QATAR

DETAIL DESIGN
PRODUCTION INFORMATION / BILLS OF QUANTITIES

LOW CURRENT VOICE ALARM SYSTEM

541 Job	LC-005 Caid ref.	31.05.2003 Date	- Revision
A2 Format	Scale	FFL + Level / Zone	LC 005 Sheet



LEGENDE

HP FIRE ALARM CEILING MOUNTED SPEAKER RATEO

☒ FIRE RATED ALARM WALL MOUTED SPEAKER MOUNTED SPEAKER RATEO