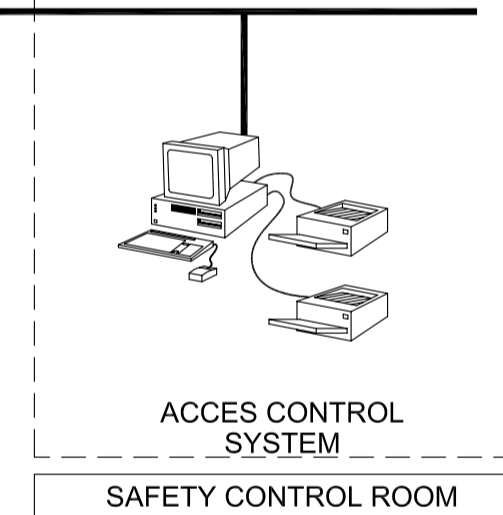
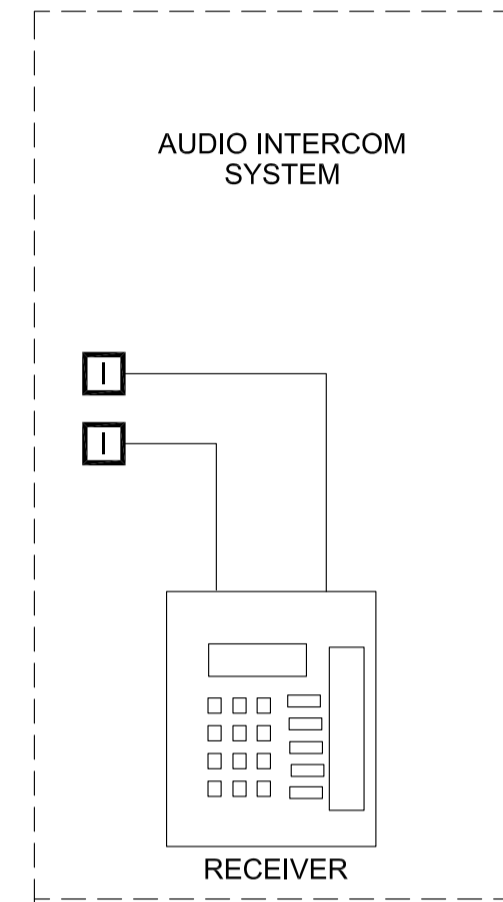
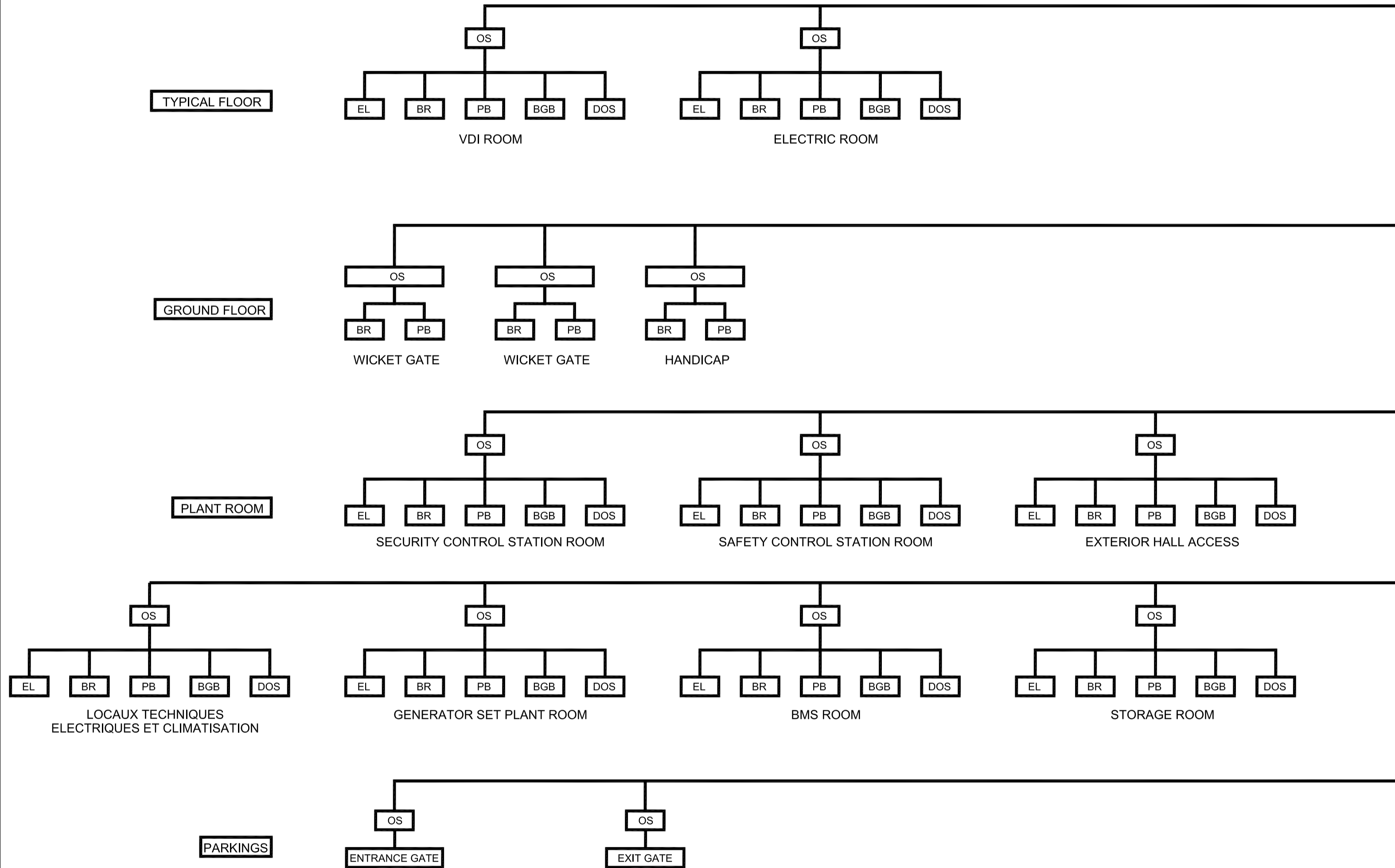


GENERAL NOTES

1. Do not scale, dimension govern.
2. All dimensions are in millimeters unless noted otherwise.
3. All dimensions must be checked on site before construction.
4. Architect should be in written notified of any disagreement.

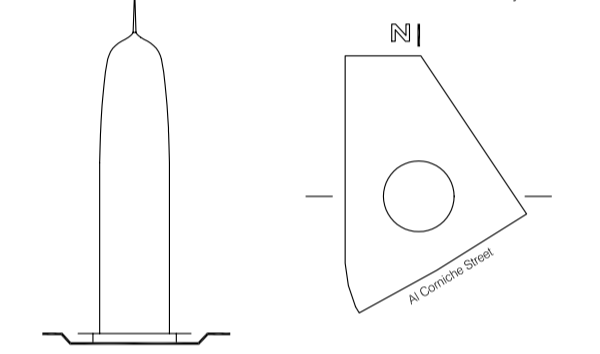
All measure and quantity indications on this plan must be checked by the respective contractor before execution; any discrepancies in the documents, tolerance, deviation or other disagreement of any kind must be clarified in writing with the architect, the local contractor, and construction management.  
 This plan is valid only in conjunction with the text for invitation of tenders including all preliminary remarks, structural engineering plans, domestic technique plans, and expert reports.  
 Only the indications of measurements in the plans are binding.  
 The British Standard (BS), legal and technical local prescriptions at the time of execution are effective.  
 The fasteners shown in the details are not to scale. The necessary strength category and the materials' quality category of all the fasteners must be evaluated by the executing contractor according to the respective static requirements.



**KEY**

|     |                       |
|-----|-----------------------|
| OS  | OUT STATION           |
| EL  | ELECTRICAL LOCK       |
| BR  | BADGE READER          |
| PB  | PUSHBUTTON            |
| BGB | BREAK-GLASS BOX       |
| DOS | OPENING DOOR DETECTOR |
| BRL | BADGE READER IN LIFT  |

| No. | Date | Description |
|-----|------|-------------|
|     |      |             |
|     |      |             |
|     |      |             |
|     |      |             |
|     |      |             |
|     |      |             |
|     |      |             |
|     |      |             |
|     |      |             |
|     |      |             |
|     |      |             |
|     |      |             |



- |  |  |
|--|--|
| <b>H.E. Sheikh Saud Al -Thani</b><br>P.O. Box 7863 Doha, Qatar<br>Tel: +974 485 9705 Fax: +974 436 1531  | Client   |
| <b>ATELIERS JEAN NOUVEL</b><br>10, Cité d'Angoulême 75011 Paris, France<br>Tel: +33 (0) 1 49 23 83 83 Fax: +33 (0) 1 43 14 81 10                   | Architect  |
| <b>TERRELL INTERNATIONAL</b><br>11, rue Heinrich 92772 Boulogne-Billancourt cedex, France<br>Tel: +33 (0) 1 46 21 07 46 Fax: +33 (0) 1 46 21 03 48 | Structural and M&E Consultant<br>Local Architect |
| <b>ARAB ENGINEERING BUREAU</b><br>Post Box 1148, Doha, Qatar<br>Tel: +974 477 969 Fax: +974 477 888  | Facade Consultant                                |
| <b>BCS S.A.</b><br>Rue Prieur 1, 2036 Cormondrèche, Switzerland<br>Tel: +41 32 732 98 00 Fax: +41 32 732 98 01                                     | Security Consultant                              |
| <b>SOCOTEC INTERNATIONAL</b><br>1, avenue du Parc, 78190 Montigny-Lez-Tours, France<br>Tel: +33 (0) 1 30 12 85 00 Fax: +33 (0) 1 30 12 86 70       | Quantities Surveyor                              |
| <b>EUROPTIMA</b><br>8, rue Bayen, 75017 Paris, France<br>Tel: +33 (0) 1 44 29 27 30 Fax: +33 (0) 1 44 29 27 31                                     | Acoustics Consultant                             |
| <b>AVEL ACOUSTIQUE</b><br>43, rue des Moulins des Prés 75013 Paris, France<br>Tel: +33 (0) 1 45 88 89 92 Fax: +33 (0) 1 45 88 90 38                | Landscape Consultant                             |
| <b>HARDY Ingénieurs et Paysages</b><br>3, avenue de Saint Cloud 78000 Versailles, France<br>Tel: +33 (0) 1 39 50 50 58 Fax: +33 (0) 1 30 21 42 51  | Parking Consultant                               |
| <b>J.-P. MOLE S.A.</b><br>8, rue Denis Poisson 75017 Paris, France<br>Tel: +33 (0) 1 56 68 00 90 Fax: +33 (0) 1 56 68 03 20                        | Kitchen Consultant                               |
| <b>PLURICONSULT</b><br>4, avenue de la Mairie, 94260 Fresnes, France<br>Tel: +33 (0) 1 46 66 47 19   | Surveyor   |
| <b>MTC SURVEYS</b><br>P.O. Box 22103 Doha, Qatar<br>Tel: +974 4654414 Fax: +974 4654415  |  |

**High Rise Office Building  
DOHA - STATE OF QATAR**

DETAIL DESIGN  
 PRODUCTION INFORMATION / BILLS OF QUANTITIES

**LOW CURRENT  
ACCES CONTROL**

|        |          |              |          |
|--------|----------|--------------|----------|
| 541    | LC 006   | 31.05.2003   | -        |
| Job    | Cad.ref. | Date         | Revision |
| A2     |          | FFL          | LC 006   |
| Format | Scale    | Level / Zone | Sheet    |